



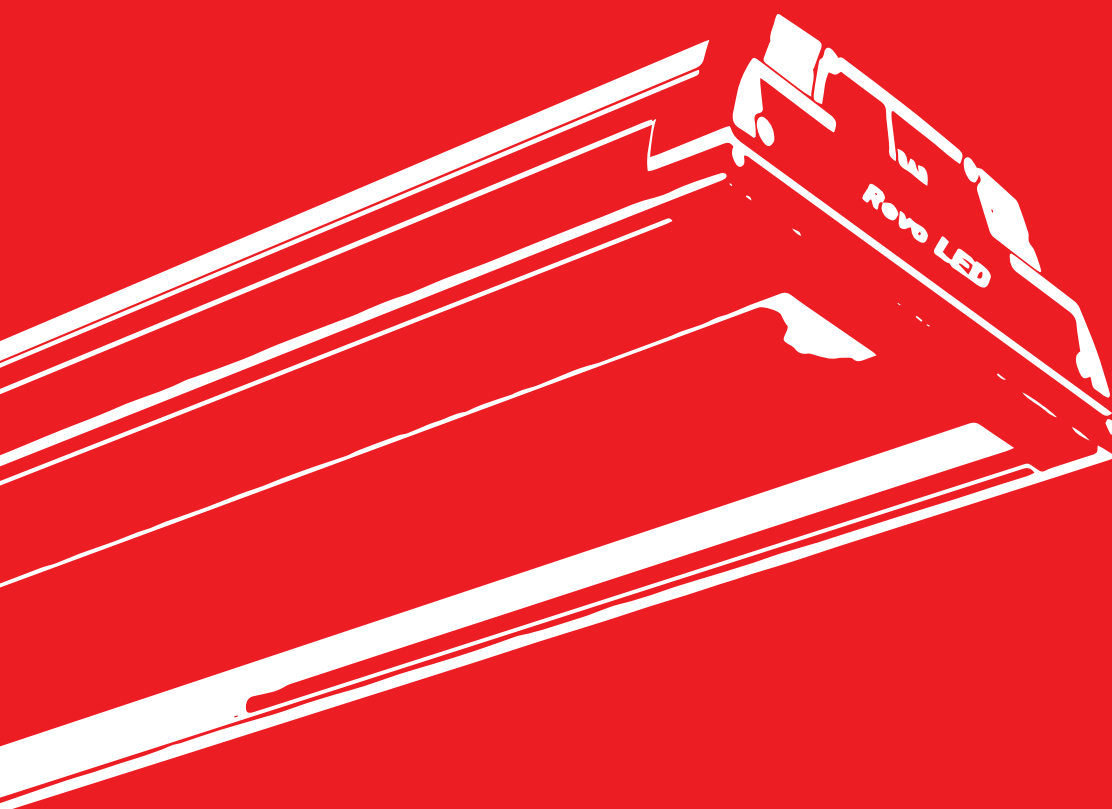
# ***REVOLED-S***

Light Engineering in the Industry



# Revoled - S

## Luminaire Series



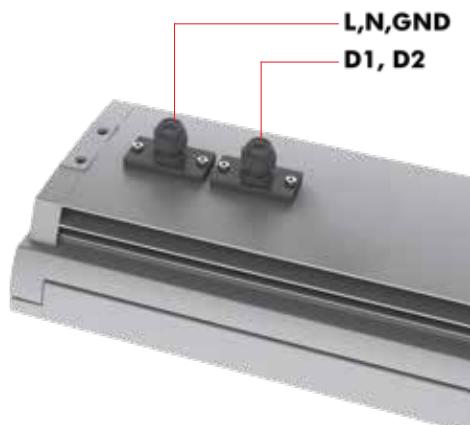
Revoled-S SC V.3	LOWBAY (90°)	UGR < 22	-25°C... +45°C		8
Revoled-S SC V.3 INDUSTRY	LOWBAY (90°)	UGR < 22	-40°C... +60°C		10
Revoled-S SC V.3 EVOLUTION	LOWBAY (90°)	UGR < 22	-25°C... +40°C	ECONOMIC	12
Revoled-S V.3	ARENA (60°), LOWBAY (90°)	UGR < 25	-25°C... +45°C		14
Revoled-S V.3 INDUSTRY	ARENA (60°), LOWBAY (90°)	UGR < 25	-40°C... +60°C		16
Revoled-S V.3 INDUSTRY PLUS +	ARENA (60°), LOWBAY (90°)	UGR < 25	-40°C... +75°C		17
Revoled-S V.3 EVOLUTION	ARENA (60°), LOWBAY (90°)	UGR < 25	-25°C... +40°C	ECONOMIC	18
Revoled-S V.2	RAF (30°)	UGR < 22	-25°C... +45°C		20
Revoled-S V.2 EVOLUTION	RAF (30°)	UGR < 25	-25°C... +40°C	ECONOMIC	22

Arena > 8m

Lowbay < 8m

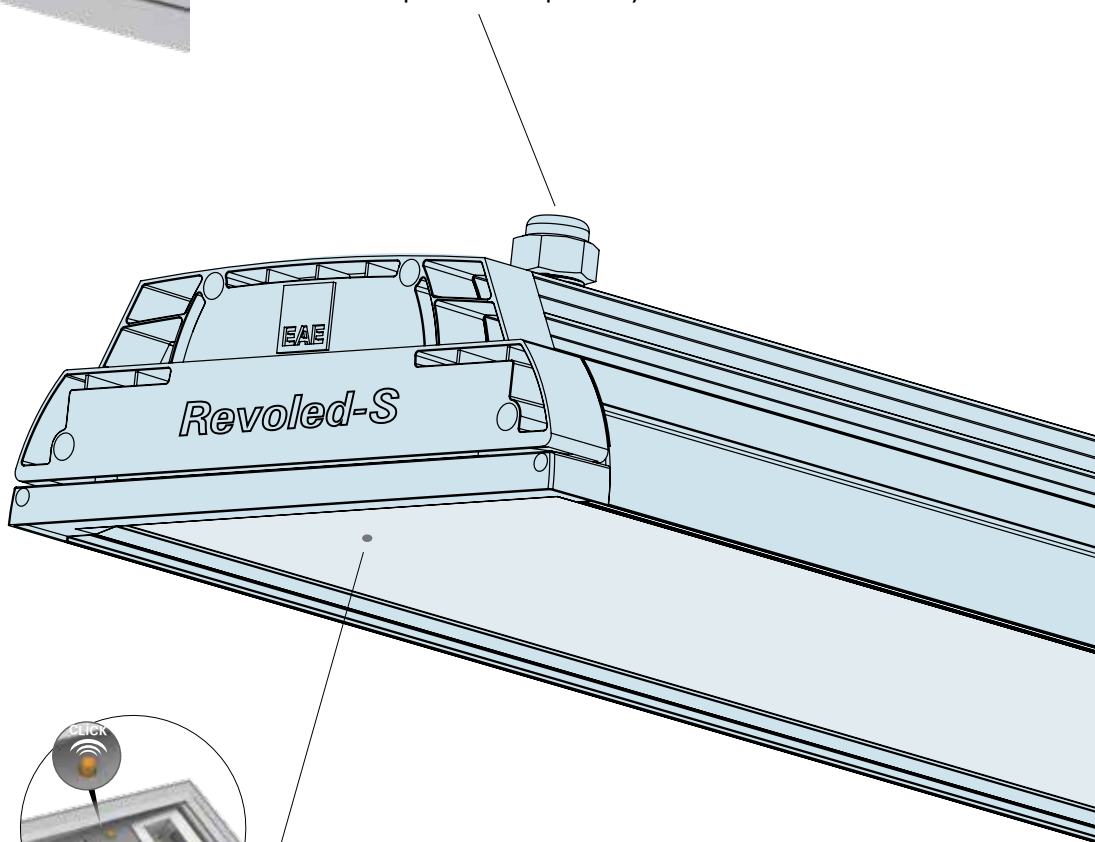
Raf > 8m For shelving storage facilities

Easy to operate without intervention from the product glass energy connection possibility...



### JOINT TYPES

Optionally, Revoled-S, suitable to needs of automation systems and Emergency cases, energy, automation and emergency case conductive inputs can separately be made.



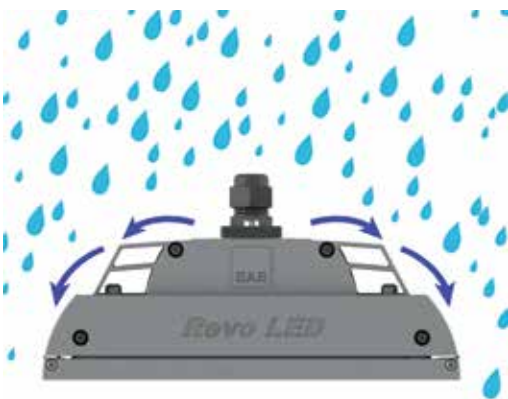
### SECURITY SWITCH

Risk is eliminated during action periods because armature power is cut through switch while opening the framework.

# OVERVIEW

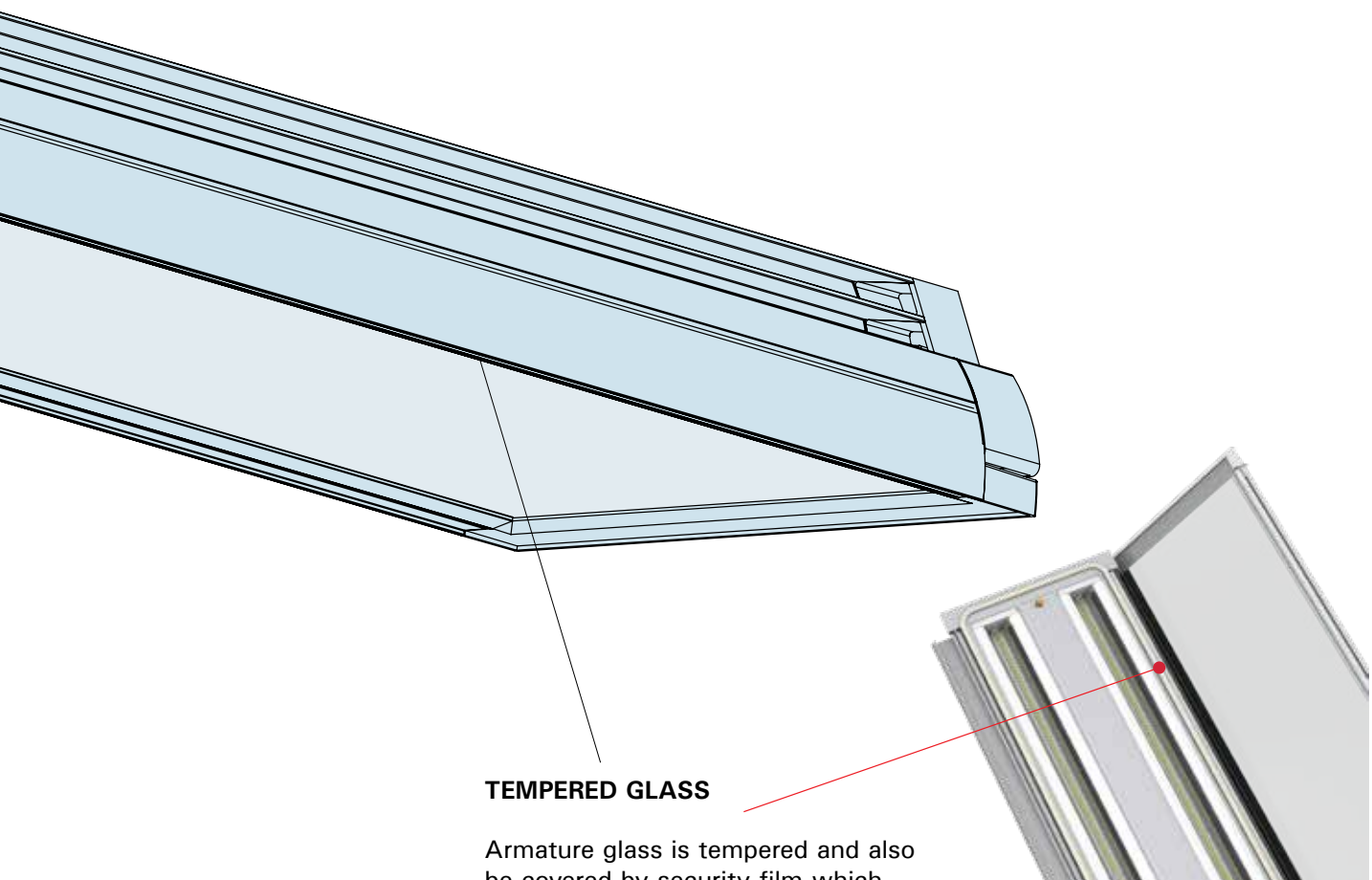
## IP65 HOUSING AND IMPERMEABLE SEAL

REVOLED-S, obtained IP65 housing structure, can be used in many areas in the industry. Impermeable seal endures low and high temperature.



## HOUSING SPECIFICATIONS

It does not allow dust and particle accumulation, thanks to its patented body structure, and water drops, might be occurred in moist air, and cannot be settled in its oval shape.



### TEMPERED GLASS

Armature glass is tempered and also be covered by security film which disenable glass parts to spread.

## HOUSING STRUCTURE

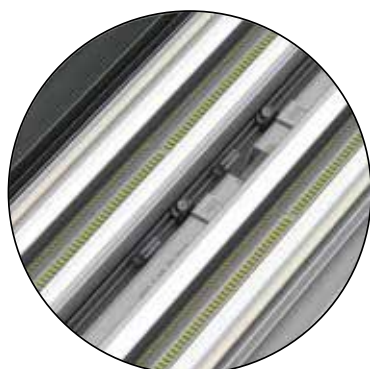
### EASY ACTION

Armature front cover can easily be opened and action can be accordingly taken.



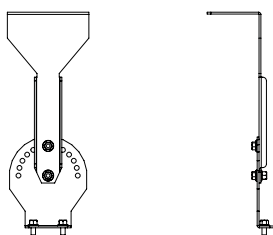
### EASY ACCESS TO ELECTRONIC COMPONENTS

Glass cover can be opened so that necessary action can easily be taken in case of any errors.

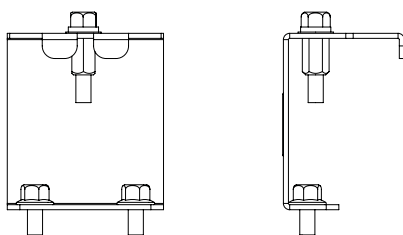


### MONTAGE APPARATES

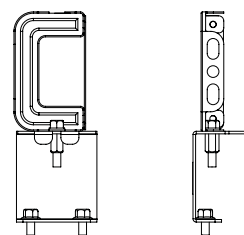
It can easily be installed to bus and cable channel with the bracket, which is particularly designed for Revoled-S.



Level Bracket



Cable Channel Bracket



Bus Bracket

# WHY REVOLED-S?



## **ENERGY SAVING**

With productivity level of 150 lm/W, Revoled-S provides energy saving of 77% compared to metal armatures and of 58% compared to Fluorescent high ceiling armatures.

1



## **STABLE LIGHT LEVEL**

Toward the end of use, Revoled-S armature has light loss up to maximum 10% while high pressure armatures have 50% and Fluorescent armatures have 20%.

2



## **ENVIRONMENT-FRIENDLY**

Known as a poisonous gas, mercury is used in high pressure and Fluorescent bulbs to some extent. However, Mercury is not found in Led Light Sources.

3



## **LONG LASTING**

Led Light Sources can be used longer 2-3 times compared to Fluorescent bulbs and 6-8 times compared to metal bulbs.

4



## **INSTANT LIGHTING AND LIGHT CONTROL FACILITIES**

5-10 min regime duration, which is required for high pressure armature to re-light in case of a power cut, constitutes a big problem for firms and magnetic ballasts, not to be dimmed, does not enable automation.

5



## **ZERO-ERROR MANAGEMENT**

Action necessity for bulbs errors especially in high ceiling systems could be eliminated through led armatures.

6



## **HIGH COLOR RENDERING**

Revoled-S armatures obtain high level of CRI (color rendering index) as >80 like Fluorescent armatures. This specification is especially important for firms, which priorities CRI, including textile sector.

7



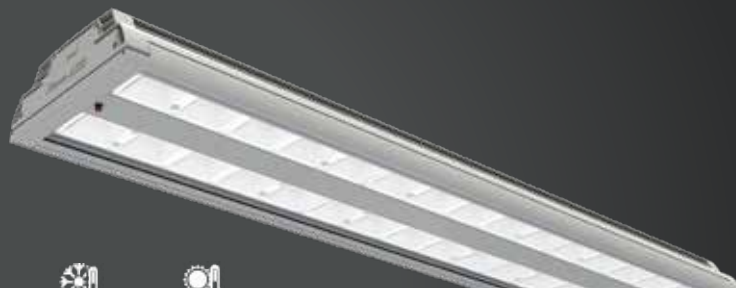
## **JOB SAFETY**

Armature body structure is endurable against to strong impacts enables for defreeze not to leave the armature even though it is broken and disenable the particles to be accumulated. These features show the compliance with job safety criteria.

8



# REVOLED-S SC V.3



INDUSTRY LIGHTING LED LUMINAIRES

-25°C +45°C UGR < 22 (Glare)  
150 lm/w



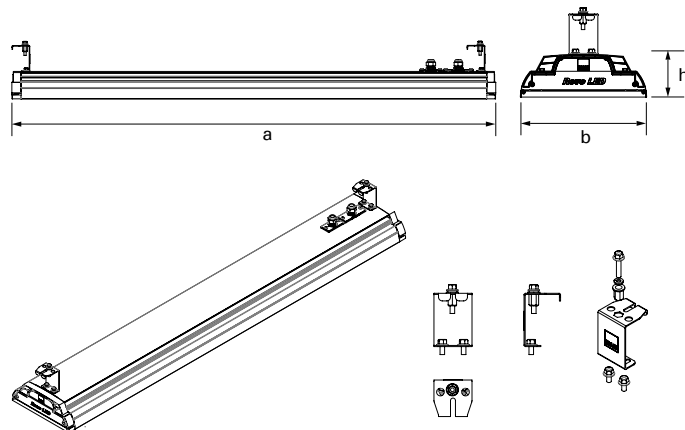
The REVOLED-S SC V. 3, which adapts from high ceilings to low ceilings to many industries from food plant to automotive industry, offers high energy savings, ease of maintenance, long life, occupational safety and more.



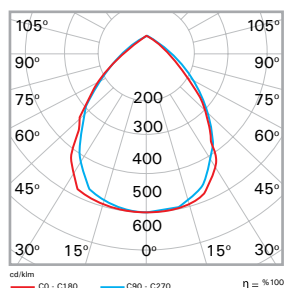
## Technical Specifications

Housing	: Aluminium profile housing and PC side cover
Optical	: High reflectance PC reflector
Diffuser	: Tempered glass with safety film
Light Source	: Mid Power LED
Power	: 38 W / 60 W / 70 W / 106 W / 142 W
Lumen	: 5483 lm / 8743 lm / 10345 lm / 15732 lm / 21061 lm
Input Voltage	: 220-240V AC 50/60Hz
Color Temp.	: 4000K
CRI	: > 80
IP	: IP65
Installation	: Surface mounted
Colors	: RAL 9006

## Technical Drawing



## Photometric Curve



## Dimensions (mm)

Tip	a	b	h
38 W	585	220	74
60 W	688	220	74
70 W	688	220	74
106 W	1000	220	74
142 W	1310	220	74

## Options

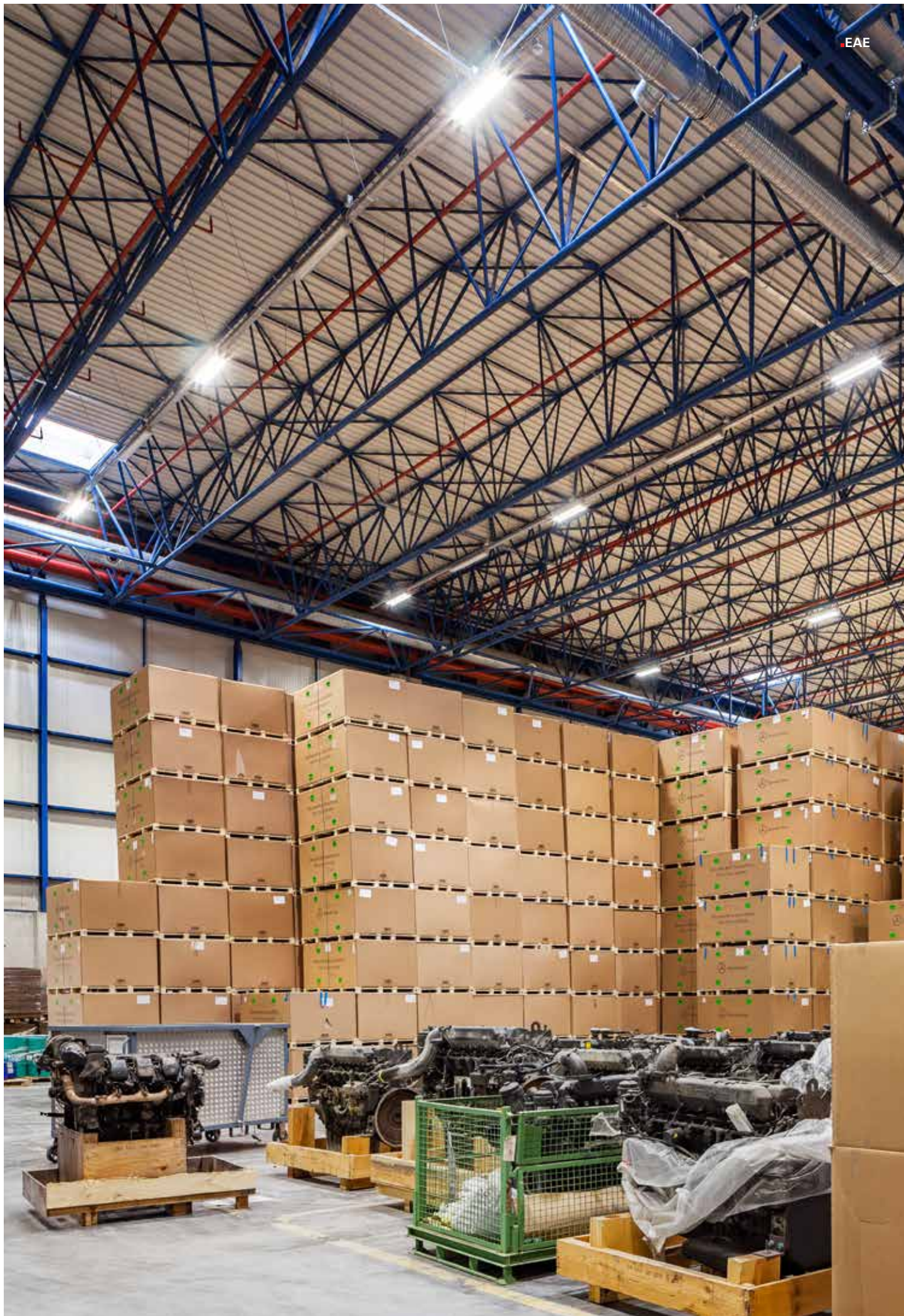
Emergency Kit	: Yes (1-3 hours)
Electronic Control	: DALI / Traceable DALI Kit

## Purchase Order Table

Product Type	Product Code	Power (W)	Weight (kg)
38 W (4000K)	RVL 038U 40TF00 90 5K58 V3 PC	38,1	4
59 W (4000K)	RVL 060U 40TF00 90 8K74 V3 PC	58,9	6,4
70 W (4000K)	RVL 070U 40TF00 90 10K3 V3 PC	70,1	6,4
106 W (4000K)	RVL 106U 40TF00 90 15K7 V3 PC	106,2	9,2
142 W (4000K)	RVL 142U 40TF00 90 21K0 V3 PC	142,2	11,9







# REVOLED-S SC V.3 INDUSTRY



INDUSTRY LIGHTING LED LUMINAIRES

-40 °C +60 °C UGR < 22 (Glare)  
150 lm/w

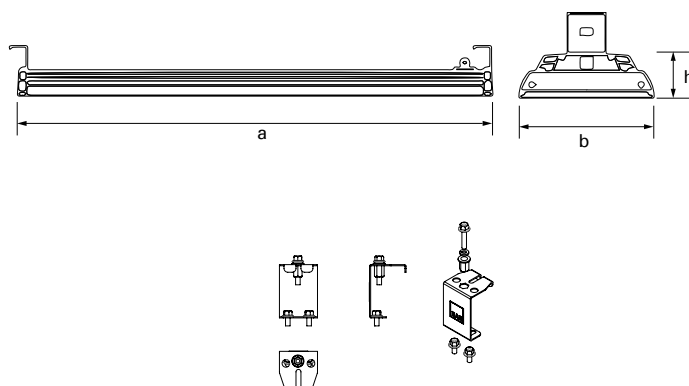
REVOLED-S SC V.3 INDUSTRY, which blends in with many sectors from high ceiling to low ceiling, from food facilities to automotive sector, provides many advantages such as high energy savings, ease of maintenance, long useful life, job safety, and many other subjects.



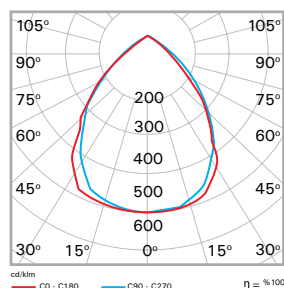
## Technical Specifications

Housing	: Aluminium profile housing
Optical	: High reflectance PC reflector
Diffuser	: Tempered glass with safety film
Light Source	: Mid Power LED
Power	: 38 W / 70 W / 106 W / 142 W
Lumen	: 5483 lm / 10345 lm / 15732 lm / 21061 lm
Input Voltage	: 220-240V AC 50/60Hz
Color Temp.	: 4000K
CRI	: > 80
IP	: IP65
Installation	: Surface mounted
Colors	: RAL 9006

## Technical Drawing



## Photometric Curve



## Dimensions (mm)

Tip	a	b	h
38 W	416	223	75
70 W	688	223	75
106 W	1000	223	75
140 W	1310	223	75

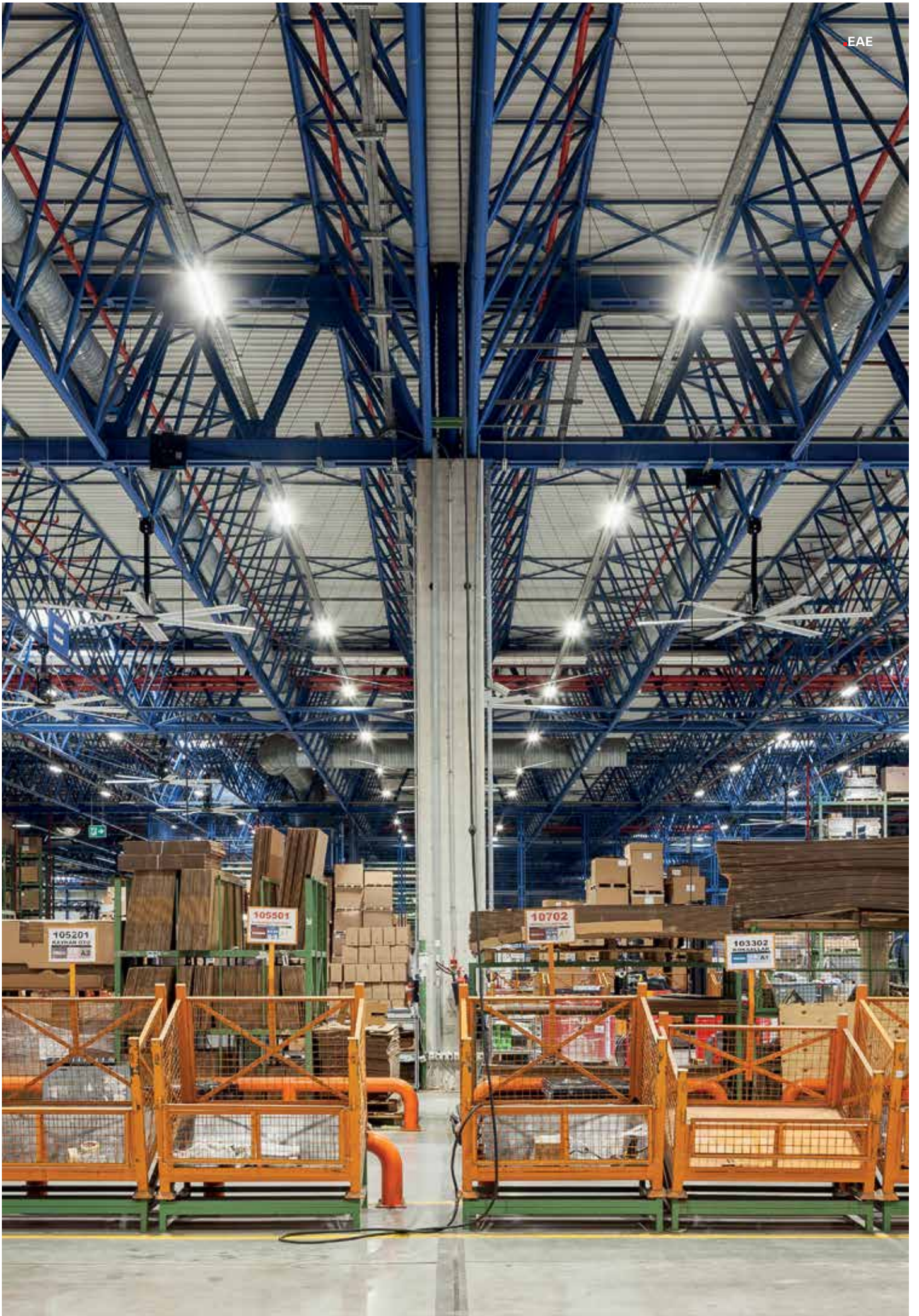
## Options

DALI Compatibility : Yes

## Purchase Order Table

Product Type	Product Code	Power (W)	Weight (kg)
38 W (4000K)	RVL 038U 40TF06 90 5K48 V3	38,1	3,7
70 W (4000K)	RVL 070U 40TF06 90 10K3 V3	70,1	6,2
106 W (4000K)	RVL 106U 40TF06 90 15K7 V3	106,2	9,3
140 W (4000K)	RVL 142U 40TF06 90 21K0 V3	142,2	11,9





# REVOLED-S SC V.3

## EVOLUTION



INDUSTRY LIGHTING LED LUMINAIRES

-25 °C +40 °C UGR < 22 (Glare)  
145 lm/w



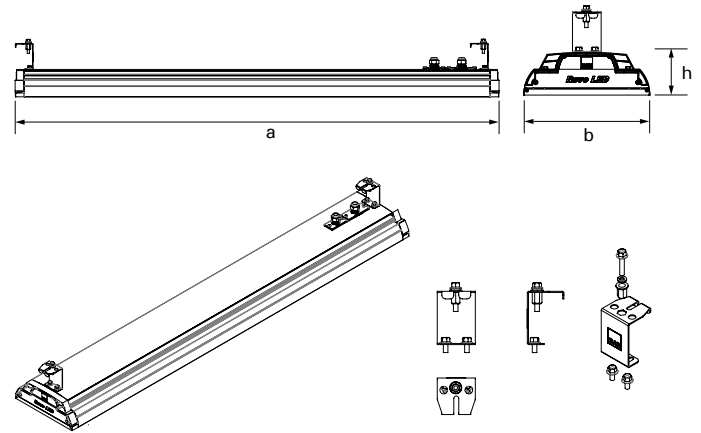
The REVOLED-S V. 3 SC EVOLUTION, which adapts from high ceilings to low ceilings to many industries from food plant to automotive industry, offers high energy savings, ease of maintenance, long life, job safety and more.



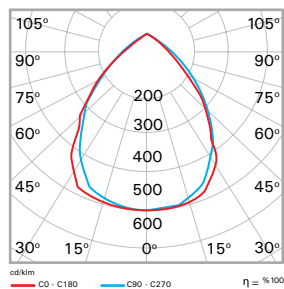
### Technical Specifications

Housing	: Aluminium profile housing and PC side cover
Optical	: High reflectance PC reflector
Diffuser	: Tempered glass with safety film
Light Source	: Mid Power LED
Power	: 65W / 97 W / 127 W / 175 W
Lumen	: 8128 lm / 14315 lm / 18987 lm / 25358 lm
Input Voltage	: 220-240V AC 50/60Hz
Color Temp.	: 4000K
CRI	: > 80
IP	: IP65
Installation	: Surface mounted
Colors	: RAL 9006

### Technical Drawing



### Photometric Curve



### Dimensions (mm)

Tip	a	b	h
65 W	416	220	74
97 W	688	220	74
127 W	1000	220	75
175 W	1310	220	75

### Options

Emergency Kit	: Yes (1-3 hours)
DALI Compatibility	: Yes

### Purchase Order Table

Product Type	Product Code	Power (W)	Weight (kg)
65 W (4000K)	RVL 065U 40TF00 90 8K87 V3 EVO PC	38,1	3,7
97 W (4000K)	RVL 097U 40TF00 90 14K3 V3 EVO PC	70,1	6,2
127 W (4000K)	RVL 127U 40TF00 90 18K9 V3 EVO PC	106,2	9,3
175 W (4000K)	RVL 175U 40TF00 90 25K3 V3 EVO PC	142,2	11,9





# REVOLED-S V.3

## ARENA (60°) - LOWBAY (90°)

INDUSTRY LIGHTING LED LUMINAIRES



-25°C +45°C 140 lm/w



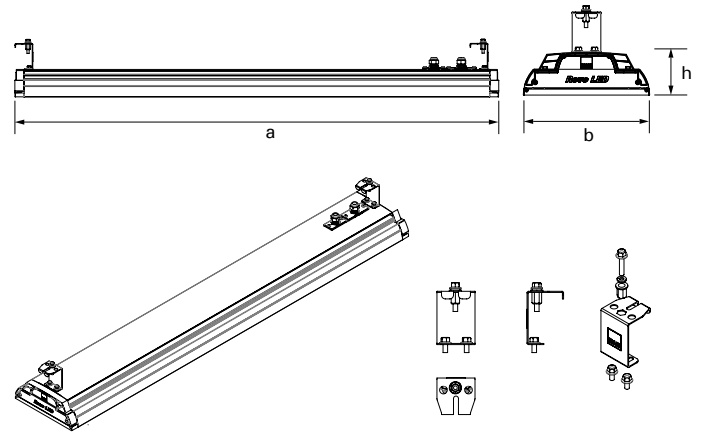
Adapting to a wide range of industries from high ceilings to low ceilings, from food plant to automotive industry, the REVOLED-S V. 3 offers high energy savings, ease of maintenance, long life, occupational safety and more.



### Technical Specifications

Housing	: Aluminium profile housing and PC side cover
Optical	: Miro silver reflector
Diffuser	
Arena	: Narrow angle, safety tempered glass
Lowbay	: Wide angle, safety tempered glass
Light Source	: Mid Power LED
Power	
Arena	: 38 W / 74 W / 112 W / 137 W
Lowbay	: 38 W / 74 W / 112 W / 137 W
Lumen	
Arena	: 5497 lm / 10944 lm / 15297 lm / 19085 lm
Lowbay	: 5581 lm / 10969 lm / 15320 lm / 19460 lm
Input Voltage	: 220-240V AC 50/60Hz
Color Temp.	: 3000K / 4000K / 5700K / 6500K
CRI	: > 80
IP	: IP65
Installation	: Surface mounted
Colors	: RAL 9006

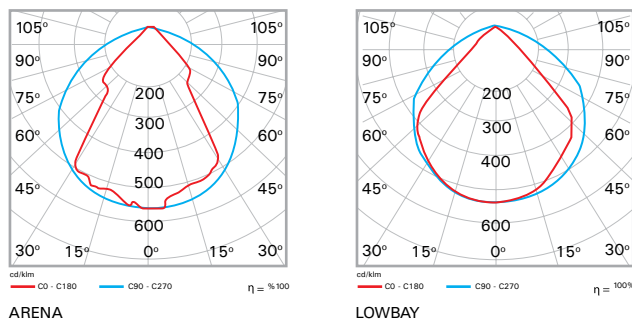
### Technical Drawing



### Dimensions (mm)

ARENA				LOWBAY			
Tip	a	b	h	Tip	a	b	h
38 W	416	223	75	38 W	416	223	75
74 W	688	223	75	74 W	688	223	75
112 W	1000	223	75	112 W	1000	223	75
137 W	1310	223	75	137 W	1310	223	75

### Photometric Curve



### Purchase Order Table

Arena			
Product Type	Product Code	Power (W)	Weight (kg)
38 W (4000K)	RVL 038U 40TF00 AR 5K49 V3 PC	37,9	3,7
74 W (4000K)	RVL 074U 40TF00 AR 10K9 V3 PC	73,8	6,2
112 W (4000K)	RVL 112U 40TF00 AR 15K2 V3 PC	111,8	9,3
137 W (4000K)	RVL 137U 40TF00 AR 19K4 V3 PC	136,8	11,9
Lowbay			
Product Type	Product Code	Power (W)	Weight (kg)
38 W (4000K)	RVL 038U 40TF00 LB 5K58 V3 PC	38,3	3,7
74 W (4000K)	RVL 074U 40TF00 LB 10K9 V3 PC	73,7	6,2
112 W (4000K)	RVL 110U 40TF00 LB 15K7 V3 PC	109,6	9,3
137 W (4000K)	RVL 137U 40TF00 LB 19K4 V3 PC	137,8	11,9

### Options

Emergency Kit	: Yes (1-3 hours)
Electronic Control	: DALI / Traceable DALI Kit





# REVOLED-S V.3

## INDUSTRY

ARENA (60°) - LOWBAY (90°)

INDUSTRY LIGHTING LED LUMINAIRES



-40°C +60°C 140 lm/w



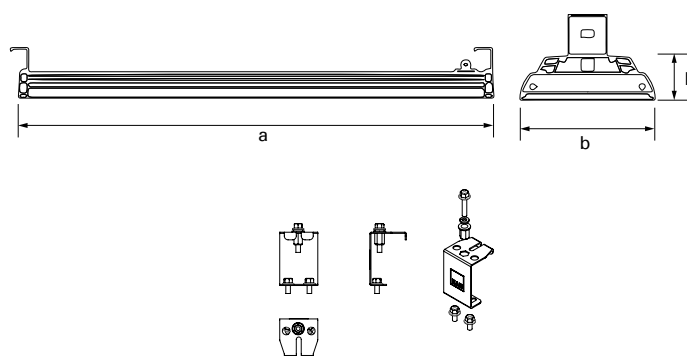
The REVOLED-S V. 3 INDUSTRY, which adapts from high ceilings to low ceilings to many industries from food plant to automotive industry, offers high energy savings, ease of maintenance, long life, occupational safety and more.



### Technical Specifications\*

Housing	: Aluminium profile housing
Optical	: Miro silver reflector
Diffuser	
Arena	: Narrow angle, safety tempered glass safety film
Lowbay	: Wide angle, safety tempered glass safety film
Light Source	: Mid Power LED
Power	
Arena	: 38 W / 74 W / 112 W / 137 W
Lowbay	: 38 W / 74 W / 137 W
Lumen	
Arena	: 5497 lm / 10944 lm / 15297 lm / 19084 lm
Lowbay	: 5581 lm / 10969 lm / 15320 lm / 19459 lm
Input Voltage	: 220-240V AC 50/60Hz
Color Temp.	: 4000K
CRI	: > 80
IP	: IP65
Installation	: Surface mounted
Colors	: RAL 9006

### Technical Drawing

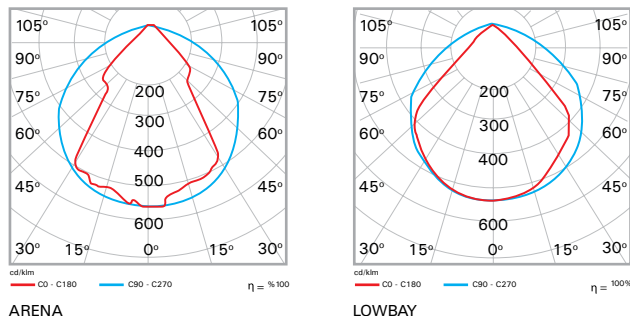


### Dimensions (mm)

ARENA Model				LOWBAY Model			
Tip	a	b	h	Tip	a	b	h
38 W	416	223	75	38 W	416	223	75
74 W	688	223	75	74 W	688	223	75
112 W	1000	223	75	137 W	1310	223	75
137 W	1310	223	75				

\* Technical specifications have ± %5 tolerance.

### Photometric Curve



### Options

DALI Compatibility : Yes

### Purchase Order Table

Arena				
Product Type	Product Code	Power (W)	Weight (kg)	
38 W (4000K)	RVL 038U 40TF06 AR 5K49 V3	37,9	3,7	
74 W (4000K)	RVL 074U 40TF06 AR 10K9 V3	73,8	6,2	
112 W (4000K)	RVL 112U 40TF06 AR 15K2 V3	111,8	9,3	
137 W (4000K)	RVL 137U 40TF06 AR 19K0 V3	136,8	11,9	
Lowbay				
Product Type	Product Code	Power (W)	Weight (kg)	
38 W (4000K)	RVL 038U 40TF06 LB 5K58 V3	38,3	3,7	
74 W (4000K)	RVL 074U 40TF06 LB 10K9 V3	73,7	6,2	
137 W (4000K)	RVL 137U 40TF06 LB 19K4 V3	137,8	11,9	





# REVOLED-S V.3 INDUSTRY PLUS+

INDUSTRY LIGHTING LED LUMINAIRES



-40°C +75°C  
160 lm/w

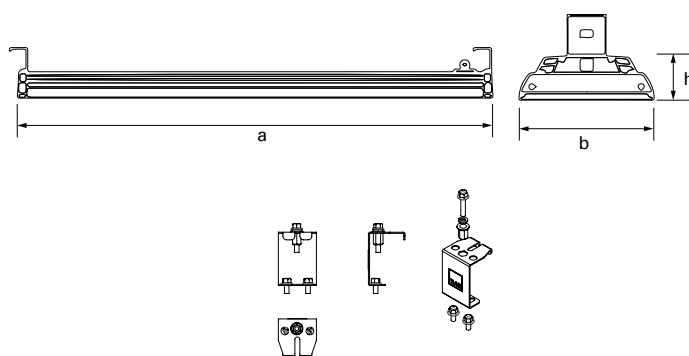
The REVOLED-S V. 3 INDUSTRY, which adapts to a wide range of industries from high ceilings to low ceilings, from food plant to automotive industry, offers high energy savings, ease of maintenance, long life, job safety and more. The REVOLED-S V. 3 INDUSTRY Plus+, which adapts from high ceilings to low ceilings, food plant to automotive industry, it benefits from high energy savings, ease of maintenance, long life, job safety and more.



## Technical Specifications

Housing	: Aluminium profile housing
Optical	: Miro silver reflector
Diffuser	: Narrow angle, safety tempered glass safety film
Light Source	: Mid Power LED
Power	: 30 W / 60 W / 90 W / 120 W
Lumen	: 4353 lm / 9418 lm / 13674 lm / 18847 lm
Input Voltage	: 220-240V AC 50/60Hz
Color Temp.	: 3000K / 4000K / 5700K / 6500K
CRI	: > 80
IP	: IP65
Installation	: Surface mounted
Colors	: RAL 9006

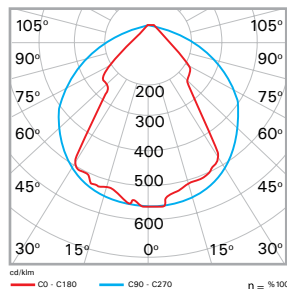
## Technical Drawing



## Dimensions (mm)

Tip	a	b	h
30 W	608	220	78
60 W	846	220	78
90 W	1234	220	78
120 W	1620	220	78

## Photometric Curve



## Purchase Order Table

Product Type	Product Code	Power (W)	Weight (kg)
30 W (4000K)	RVL 030U 40TF06 AR 4K35 V3 70D	27,7	5,5
60 W (4000K)	RVL 060U 40TF06 AR 9K41 V3 70D	60,9	7,6
90 W (4000K)	RVL 090U 40TF06 AR 13K6 V3 70D	89,7	10,5
120 W (4000K)	RVL 120U 40TF06 AR 18K2 V3 70D	121,9	14,8

## Options

DALI Compatibility : Yes



# REVOLED-S V.3

## EVOLUTION

### ARENA (60°) - LOWBAY (90°)

INDUSTRY LIGHTING LED LUMINAIRES



-25°C +40°C 145 lm/w



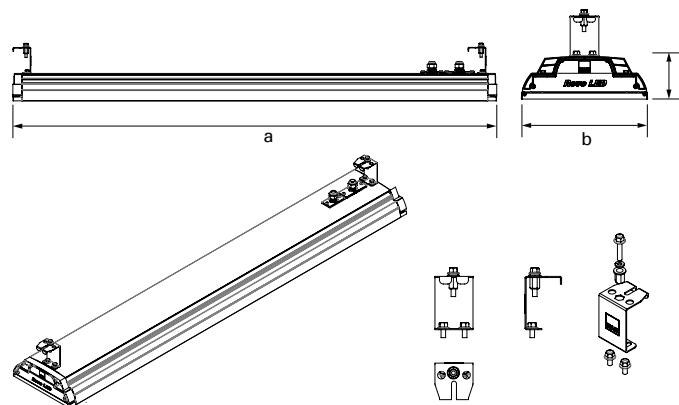
Adapting to a wide range of industries from high ceilings to low ceilings, from food plant to automotive industry, the REVOLED-S V. 3 EVOLUTION offers high energy savings, ease of maintenance, long life, occupational safety and more.



### Technical Specifications

Housing	: Aluminium profile housing and PC side cover
Optical	
Arena	:Miro silver reflector, narrow angle
Lowbay	:Miro silver reflector, wide angle
Diffuser	: Tempered glass with safety film
Light Source	: Mid Power LED
Power	
Arena	: 65 W / 96 W / 130 W / 137 W / 183 W
Lowbay	: 65 W / 96 W / 130 W / 133 W / 183 W
Lumen	
Arena	: 8809 lm / 14179 lm / 19186 lm / 20157 lm / 26658 lm
Lowbay	: 8877 lm / 14355 lm / 19394 lm / 19865 lm / 26934 lm
Input Voltage	: 220-240V AC 50/60Hz
Color Temp.	: 3000K / 4000K / 5700K / 6500K
CRI	: > 80
IP	: IP65
Installation	: Surface mounted
Colors	: RAL 9006

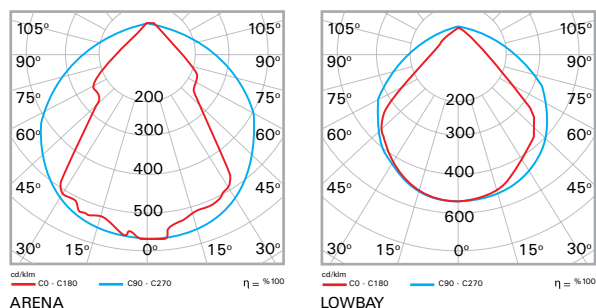
### Technical Drawing



### Dimensions (mm)

ARENA				LOWBAY			
Tip	a	b	h	Tip	a	b	h
65 W	416	223	75	65 W	416	223	75
96 W	688	223	75	96 W	688	223	75
130 W/137 W	1000	223	75	130 W/133 W	1000	223	75
183 W	1310	223	75	183 W	1310	223	75

### Photometric Curve



### Options

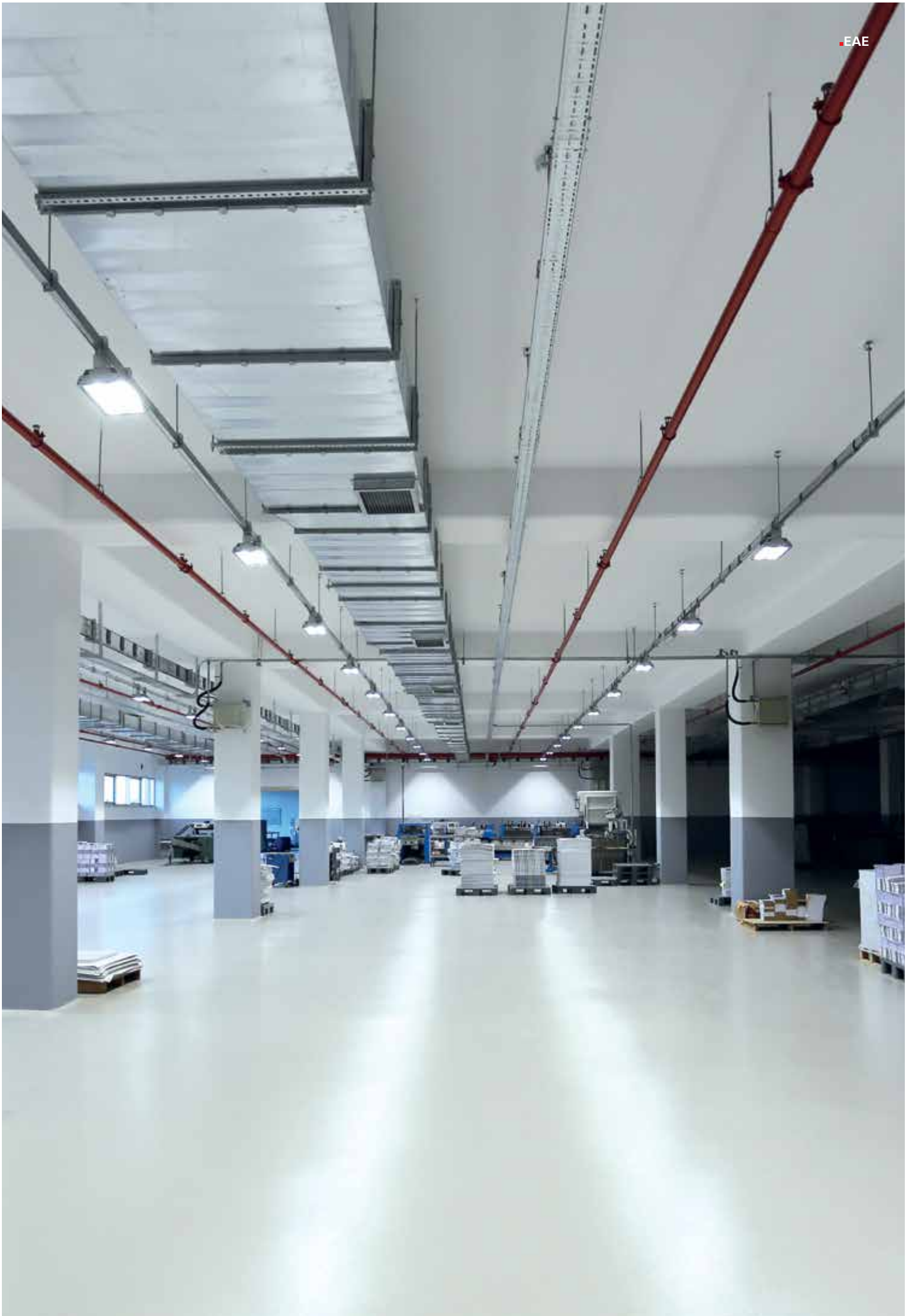
Emergency Kit	: Yes (1-3 hours)
DALI Compatibility	: Yes

### Purchase Order Table

Arena				
Product Type	Product Code	Power (W)	Weight (kg)	
65 W (4000K)	RVL 065U 40TF00 AR 8K80 V3 EVO PC	65,3	3,7	
96 W (4000K)	RVL 096U 40TF00 AR 14K1 V3 EVO PC	96,4	6,2	
130 W (4000K)	RVL 130U 40TF00 AR 19K1 V3 EVO PC	130,8	9,3	
137 W (4000K)	RVL 137U 40TF00 AR 20K1 V3 EVO PC	137,5	9,3	
183 W (4000K)	RVL 183U 40TF00 AR 26K6 V3 EVO PC	182,4	9,3	

Lowbay				
Product Type	Product Code	Power (W)	Weight (kg)	
65 W 4000K	RVL 065U 40TF00 LB 8K87 V3 EVO PC	9,9	0,8	
96 W (4000K)	RVL 096U 40TF00 LB 14K3 V3 EVO PC	18,9	1,1	
130 W (4000K)	RVL 130U 40TF00 LB 19K3 V3 EVO PC	22,3	1,6	
133 W (4000K)	RVL 133U 40TF00 LB 19K8 V3 EVO PC	22,6	2,2	
183 W (4000K)	RVL 183U 40TF00 LB 26K9 V3 EVO PC	31,2	2,2	
183 W 4000K DALI	RVL 183U 40TF03 LB 26K9 V3 EVO PC	31,2	2,2	
183 W 4000K DALI 3H ACK	RVL 183U 40TF05 LB 26K9 V3 EVO PC	37,4	1,6	





# REVOLED-S V.2

## EVOLUTION RAF

INDUSTRY LIGHTING LED LUMINAIRES



-25 °C +40 °C



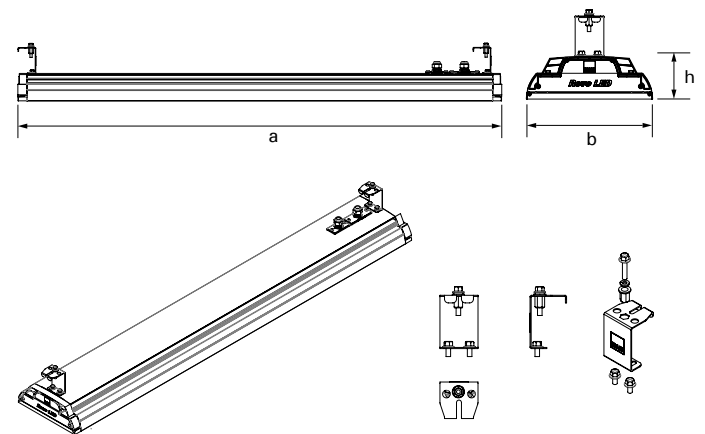
Adapting to a wide range of industries from high ceilings to low ceilings, from food plant to automotive industry, the REVOLED-S V. 2 EVOLUTION offers high energy savings, ease of maintenance, long life, occupational safety and more.



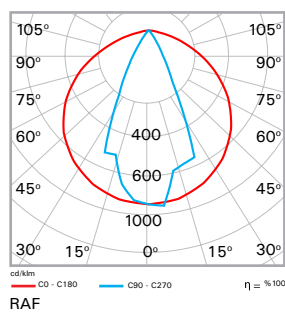
### Technical Specifications

Housing	: Aluminium profile housing and PC side cover
Optical	: Miro silver reflector
Diffuser	: Tempered glass with safety film
Light Source	: Mid Power LED
Power	: 40 W / 70 W / 110 W / 135 W
Lumen	: 4721 lm / 9340 lm / 14604 lm / 17740 lm
Input Voltage	: 220-240V AC 50/60Hz
Color Temp.	: 3000K / 4000K / 5700K / 6500K
CRI	: > 80
IP	: IP65
Installation	: Surface mounted
Colors	: RAL 9006

### Technical Drawing



### Photometric Curve



### Dimensions (mm)

RAF	a	b	h
40 W	338	223	75
70 W	688	223	75
110 W	1000	223	75
135 W	1310	223	75

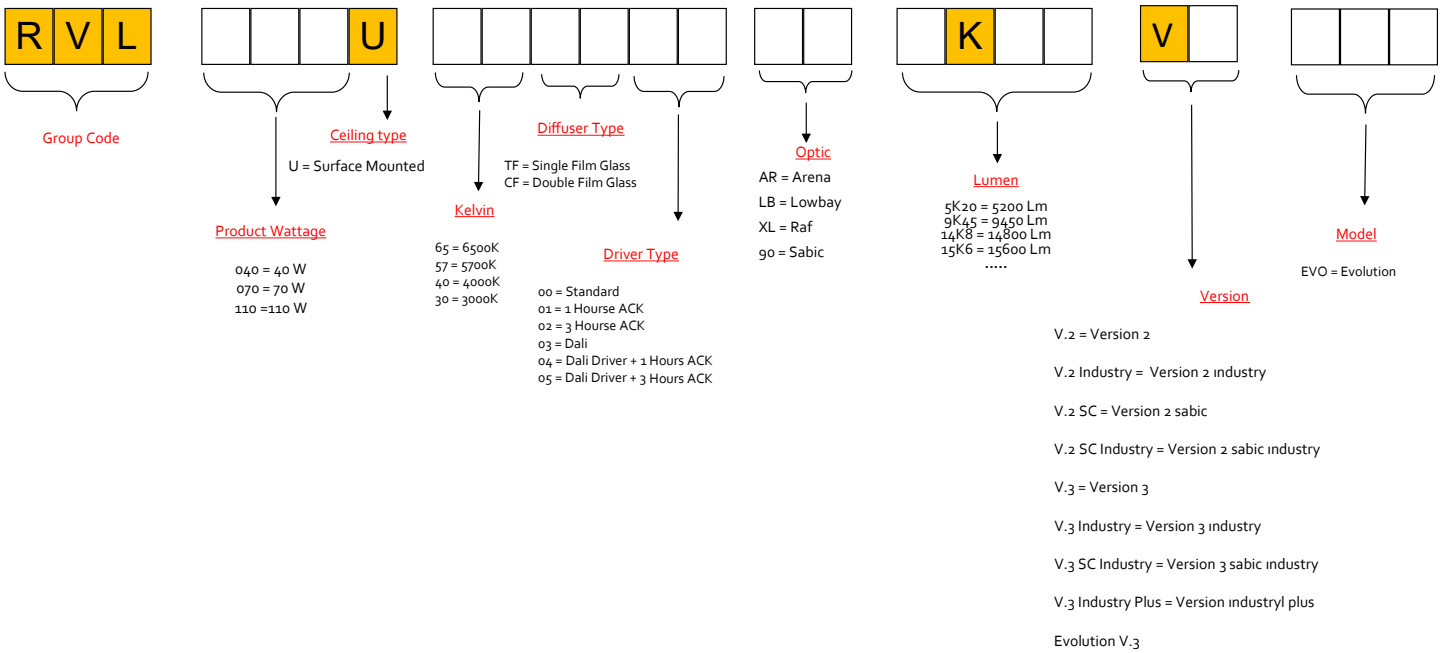
### Options

Emergency Kit	: Yes (1-3 hours)
DALI Compatibility	: Yes

### Purchase Order Table

Product Type	Product Code	Power (W)	Weight (kg)
40 W (4000K)	RVL 040U 40TF00 XL 4K72 V.2 EVO	65,3	3,7
70 W (4000K)	RVL 070U 40TF00 XL 9K33 V.2 EVO	96,4	6,2
110 W (4000K)	RVL 110U 40TF00 XL 14K6 V.2 EVO	130,8	9,3
135 W (4000K)	RVL 135U 40TF00 XL 17K7 V.2 EVO	137,5	9,3





# REVOLED-S V.2

INDUSTRY LIGHTING LED LUMINAIRES



-25°C +40°C



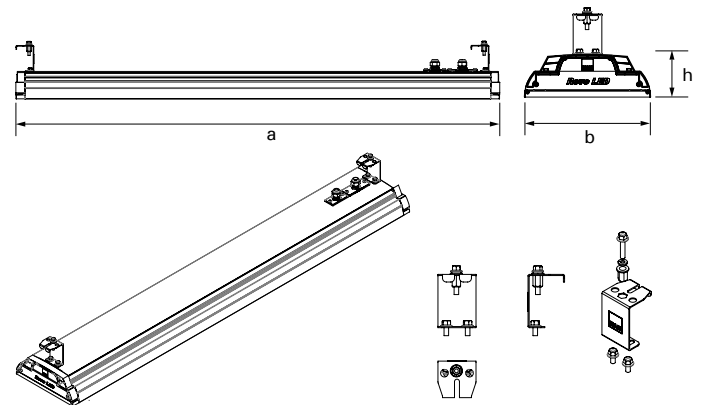
Offering an optimal solution to the different and specialized needs of industrial facilities, the revised-S V. 2 meets the lighting needs of different high production facilities with a 5000 ~ 19500 wide Lumen range, rack/arena/lowbay optical angle options. Ideal for all high ceiling lighting applications with luminaire efficiency up to 139 lm/W and 4 different sizes.



## Technical Specifications

Housing	: Aluminium profile housing
Optical	
Arena	:Miro silver reflector, narrow angle
Lowbay	:Miro silver reflector, wide angle
Diffuser	: Tempered glass with safety film
Light Source	: Mid Power LED
Power	
Arena	: 40 W / 71 W / 112 W / 140 W
Lowbay	: 40 W / 68 W / 110 W / 140 W
Lumen	
Arena	: 5194 lm / 9668 lm / 14974 lm / 18984 lm
Lowbay	: 5378 lm / 9450 lm / 15332 lm / 19440 lm
Input Voltage	: 220-240V AC 50/60Hz
Color Temp.	: 4000K
CRI	: > 80
IP	: IP65
Installation	: Surface mounted
Colors	: RAL 9006

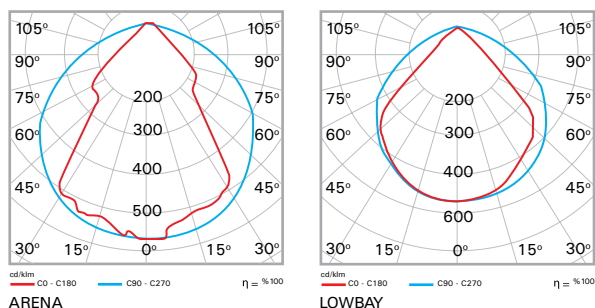
## Technical Drawing



## Dimensions (mm)

ARENA				LOWBAY			
Tip	a	b	h	Tip	a	b	h
40 W	416	223	75	40 W	416	223	75
71 W	688	223	75	68 W	688	223	75
112 W	1000	223	75	112 W	1000	223	75
140 W	1310	223	75	140 W	1310	223	75

## Photometric Curve



## Options

Emergency Kit	: Yes (1-3 hours)
DALI Compatibility	: Yes

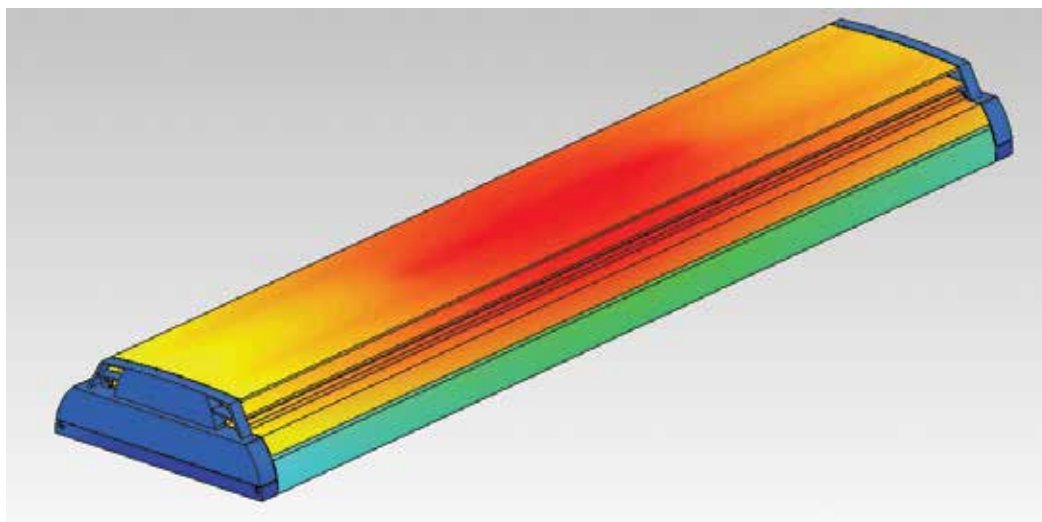
## Purchase Order Table

Arena				
Product Type	Product Code	Power (W)	Weight (kg)	
40 W (4000K)	RVL 040U 40TF00 AR 5K20 V2 PC	40	3,7	
71 W (4000K)	RVL 070U 40TF00 AR 9K45 V2 PC	71	6,2	
112 W (4000K)	RVL 110U 40TF00 AR 14K8 V2 PC	112,1	9,3	
140 W (4000K)	RVL 140U 40TF00 AR 18K9 V2 PC	139,4	11,9	

Lowbay				
Product Type	Product Code	Power (W)	Weight (kg)	
40 W (4000K)	RVL 040U 40TF00 LB 5K30 V2 PC	39,5	3,7	
68 W (4000K)	RVL 070U 40TF00 LB 9K45 V2 PC	67,6	6,2	
112 W (4000K)	RVL 110U 40TF00 LB 15K3 V2 PC	110,2	9,3	
140 W (4000K)	RVL 140U 40TF00 LB 19K5 V2 PC	140,3	11,9	

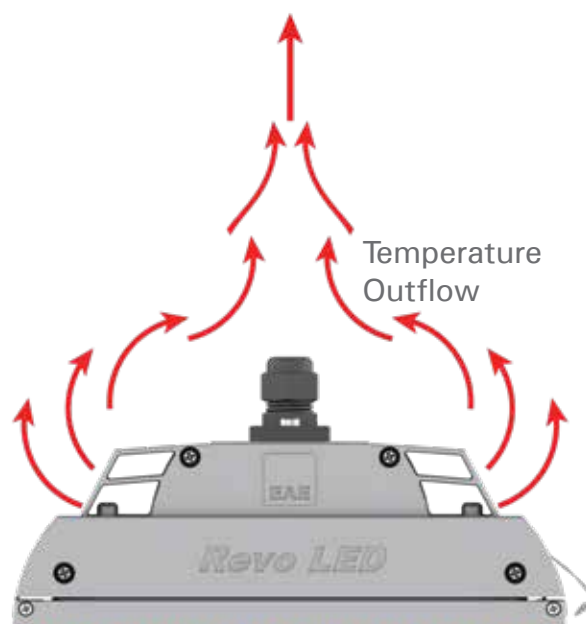
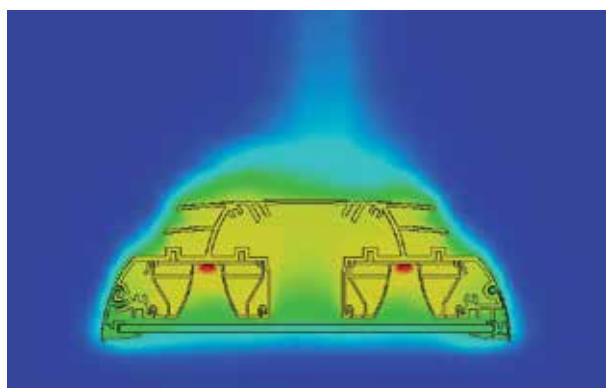


## THERMAL SPECIFICATIONS



### THERMAL DESIGN

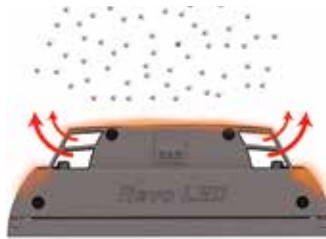
Body thermal design provides high level of temperature transfer so that it endures -40 .. +650C environment temperature with use of -25 .. +45 °C industrial power sources, in standard products.



**First 1 year**

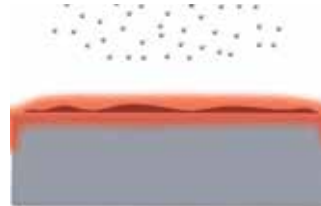


**1 year later**



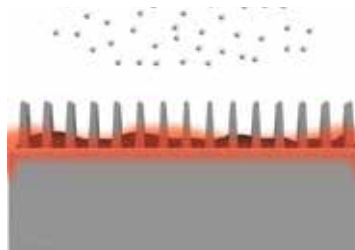
**REVOLED-S**

It disallows dust and particle accumulation thanks to its patented housing structure so that non-productivity on heat transfer is never experienced even year later.



**Reference Product 1**

Their heat transfer decreases and armatures get hot over time because flat housing design without fin enables dust accumulation.

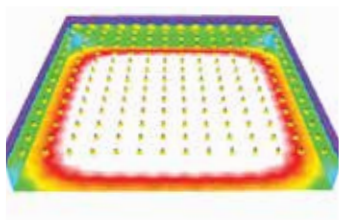


**Reference Product 2**

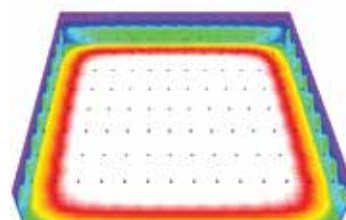
Finned Housing Designs enable dust and particle accumulation between fins so that heat transfer becomes difficult and it expires in a small amount of time because armature becomes hot.



**COMPARISON TABLE (According to Metal Halide)**



**Metal Halide  
400 W**



**REVOLED-S SC  
127 W**



**400 W METAL HALIDE**



**REVOLED-S SC 127 W**

<b>ILLUMINATION LEVEL</b>	300lux	300lux
<b>AMOUNT OF ARMATURE</b>	196	160
<b>POWER ARMATURE</b>	450 W	127 W
<b>TOTAL POWER CONSUMPTION</b>	88,2kW	20,3kW

\* Analyze table is prepared for change projects.



**%77**  
Energy saving

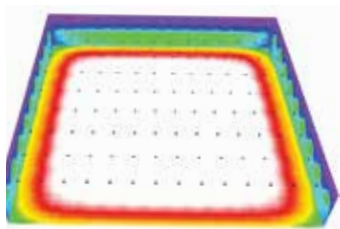
**Revoled-S**  
SAVING RATE

**REVOLED-S**  
  
**METAL HALIDE**

Payback for new investment

**0,6 years**

**COMPARISON TABLE (According to Revo Fluorescent)**



**REVO FLOURESAN  
4\*54 W**



**REVOLED-S SC  
127 W**



**4\*54 W REVO**



**REVOLED-S SC 127 W**

<b>ILLUMINATION LEVEL</b>	300lux	300lux
<b>AMOUNT OF ARMATURE</b>	210	160
<b>POWER ARMATURE</b>	232 W	127 W
<b>TOTAL POWER CONSUMPTION</b>	48,7kW	20,3kW

\* Analyze table is prepared for change projects.



**%58**  
Energy saving

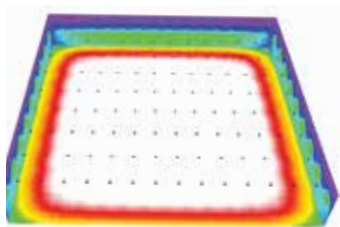
**Revoled-S**  
SAVING RATE

**REVOLED-S**  
  
**REVO FLOURESAN**

Payback for new investment

**1,4 years**

**COMPARISON TABLE (According to Revo Fluorescent)**



**REVO FLOURESAN  
4\*54 W**



**REVOLED-S SC  
127 W**



**4\*54 W REVO**



**REVOLED-S SC 127 W**

<b>ILLUMINATION LEVEL</b>	300lux	300lux
<b>AMOUNT OF ARMATURE</b>	210	160
<b>POWER ARMATURE</b>	232 W	127 W
<b>TOTAL POWER CONSUMPTION</b>	48,7kW	20,3kW

\* Analyze table is prepared for change projects.



**%58**  
Energy saving

**Revoled-S**  
SAVING RATE

**REVOLED-S**  
  
**REVO FLOURESAN**

Payback for new investment

**1,4 years**

# ***REVOLED-S***

Light Engineering in the Industry

EAE LIGHTING-Brochure **REVOLED-S - EN** - Uptade Date: 30.06.2022  
EAE. is provided with the right to perform changes deemed necessary without notifying in advance.  
Please contact us for further information about products and details partaking in catalogue.



**EAE LIGHTING Inc.**

Ikitelli Organize Sanayi Bolgesi  
Eski Turgut Ozal Caddesi No:20  
Basaksehir / ISTANBUL - TURKEY  
Tel : +90 212 413 21 00 (pbx)  
Fax : +90 212 549 37 90  
[www.eaelighting.com](http://www.eaelighting.com)



***engineering the light***