



***ROAD AND
ENVIRONMENT***
***LIGHTING
LUMINAIRES***

COMMON SOLUTION FROM DIFFERENT SECTORS



Outdoor
Lighting

ROAD AND ENVIRONMENT

LIGHTING LUMINAIRES



Road and Environment

Our RA, RA2 and RA3 street lighting LED luminaires, which stand out as a new family of products in a great design, make them feel stylish with its modern look, while saving serious energy with technically high efficiency.

The M5-M4-M3-M2 road class has become the ideal product family for road applications with optical options that fit the criteria.

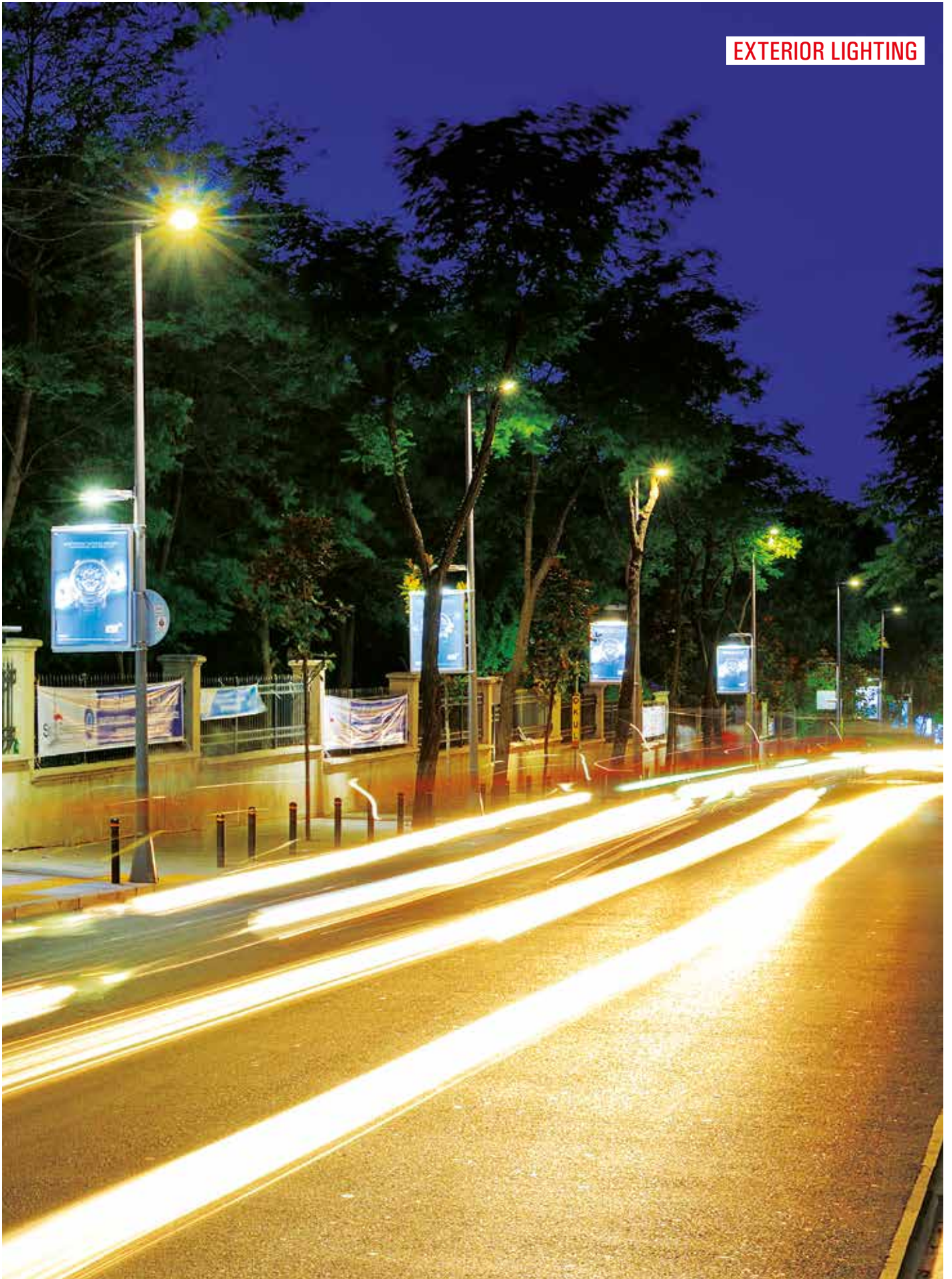
By providing the possibility of horizontal and Vertical hitch with a single hitch system, the same hitch can be adjusted in 5 degree increments according to the mast type, to angle adjustment from the range of -15.. + 150. For precise RIGHT-LEFT stabilization during assembly, the precision level on the armature back is very convenient.

I N D E X

MODEL

RA	6
RA2	8
RA3	9
PB2 PB FLP	10

EXTERIOR LIGHTING



RA

SURROUND LIGHT LED LUMINAIRE



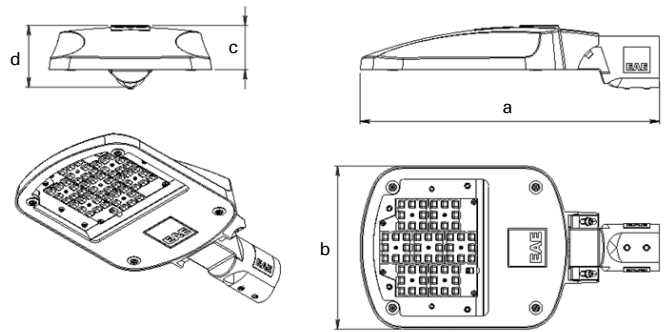
Essential for outdoor lighting in many areas of living space, the RA offers a minimalist design and the energy savings of LED technology at affordable cost.



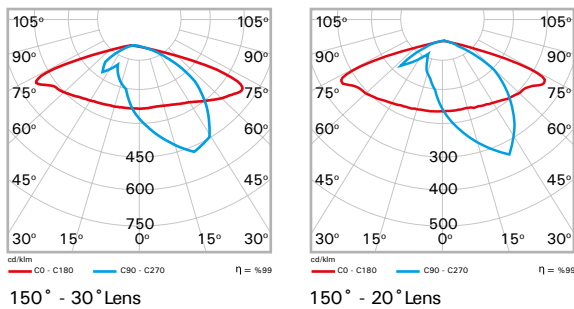
Technical Features

- Body : Aluminum injection body
- Optic : 100° Lens / 110° Lens
- Diffuser : Tempered transparent glass
- Light source : Power LED
- Power : 25 W / 30 W / 45 W / 52 W
- Lumen : 3215 lm / 3530 lm / 5881 lm / 6247 lm
- 100° Lens : 3560 lm / 3797 lm / 6250 lm / 6585 lm
- 110° Lens : 3575 lm / 3745 lm / 6085 lm / 6346 lm
- Input voltage : 220-240 V / 50-60 Hz
- Color temperature : 4000K / 5700K
- CRI : > 70
- IP : IP66
- Usage is : Pole/Wall
- Body Color : SW 306G

Technical Drawing



Photometric Data



Dimensions (mm)

a	b	c	d
460	250	68	98

Options

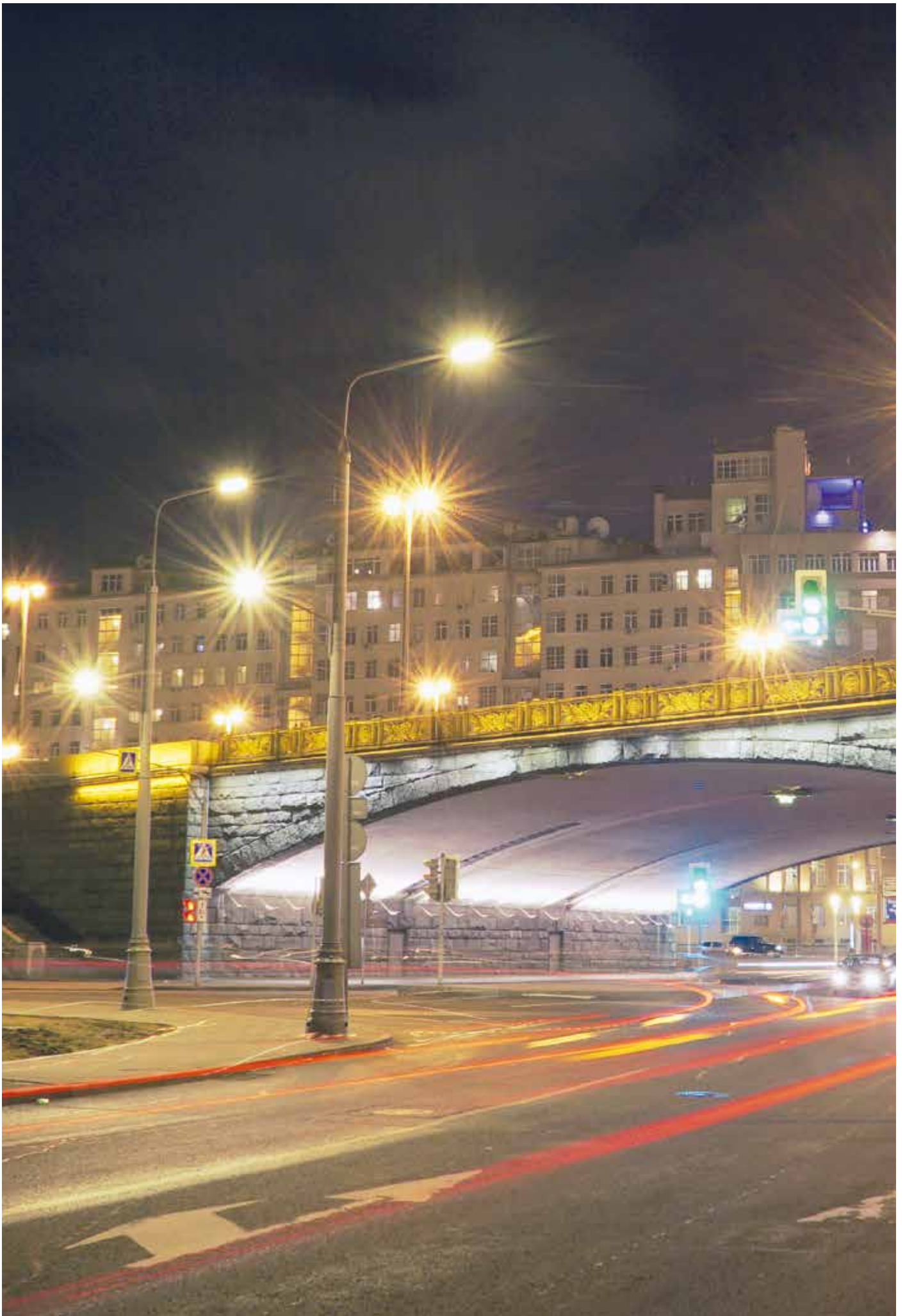
- DALI Compatibility : Yes
- DIMKO Compatibility : Yes

Order Table

110° Lens			
Product description	Product code	Power (W)	Weight (kg)
25 W 4000K	RA 025D 40SC00 110 3K57	25,9	3,5
30 W 4000K	RA 030D 40SC00 100 3K74	30,3	3,5
45 W 4000K	RA 045D 40SC00 110 6K00	45,7	3,5
52 W 4000K	RA 052D 40SC00 110 6K34	52,2	3,5

100° Lens			
Product description	Product code	Power (W)	Weight (kg)
25 W 4000K	RA 025D 40SC00 100 3K55 V.2	25,9	3,5
30 W 4000K	RA 030D 40SC00 100 3K79 V.2	30,3	3,5
45 W 4000K	RA 045D 40SC00 100 6K24 V.2	45,7	3,5
52 W 4000K	RA 052D 40SC00 100 6K58 V.2	52,2	3,5





RA2

SURROUND LIGHT LED LUMINAIRE



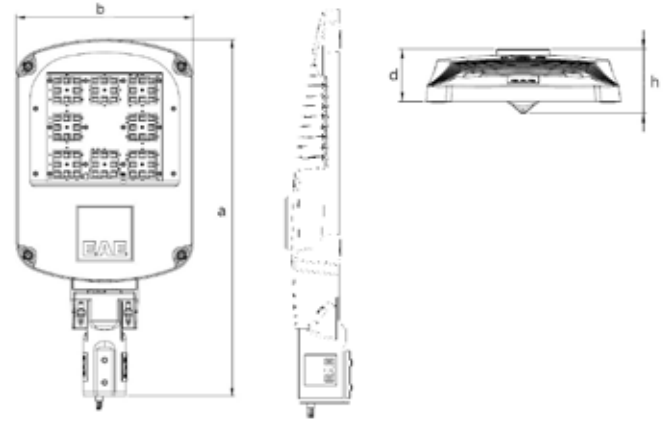
The RA2 is the forefront of outdoor lighting, required in many areas of living space, and its minimalist design allows you to save the energy of LED technology at affordable cost.



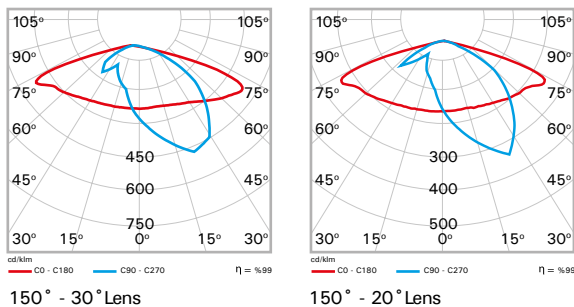
Technical Features

Body	: Aluminum injection body
Optic	: Wide angle
Diffuser	: Tempered transparent glass
Light source	: Power LED
Power	: 30 W / 54 W / 65 W / 80 W / 105 W
Lumen	
(150° - 20°)	: 3756 lm / 6732 lm / 8406 lm / 13786 lm
(150° - 30°)	: 3637 lm / 6477 lm / 8158 lm / 13470 lm
Input voltage	: 220-240 V / 50-60 Hz
Color temperature	: 4000K / 5000K / 6500K
CRI	: > 70
IP	: IP66
Usage is	: Pole/Wall
Body Color	: SW 306G

Technical Drawing



Photometric Data



Dimensions (mm)

a	b	h	d
439	310	104	85

Order Table

110° Lens			
Product description	Product code	Power (W)	Weight (kg)
30 W 4000K	RA2 030D 40SC00 110 3K76	30,4	6,7
54 W 4000K	RA2 054D 40SC00 110 6K73	53,9	6,7
65 W 4000K	RA2 065D 40SC00 110 8K40	65,5	6,7
103 W 4000K	RA2 103D 40SC00 110 13K7	102,9	6,7

100° Lens			
Product description	Product code	Power (W)	Weight (kg)
30 W 4000K	RA2 030D 40SC00 100 3K76	30,4	6,7
54 W 4000K	RA2 054D 40SC00 100 6K73	53,9	6,7
65 W 4000K	RA2 065D 40SC00 100 8K40	65,5	6,7
103 W 4000K	RA2 103D 40SC00 100 13K7	102,9	6,7

Options

Color temperature	: 5000K / 6500K
Electronic control	: DALI, RF Control



RA3

SURROUND LIGHT LED LUMINAIRE



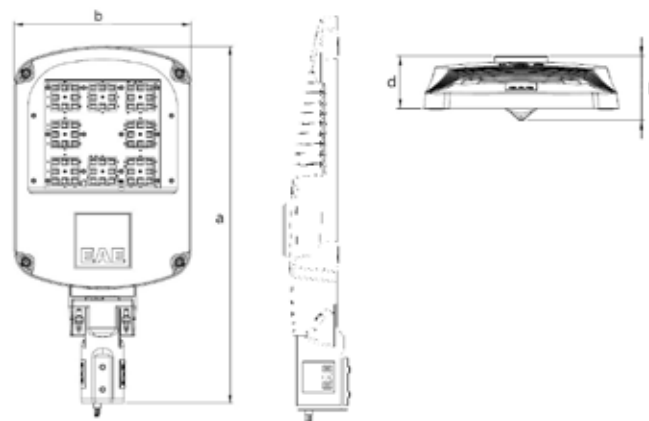
The latest member of the RA product family RA3, optimized Bodysi with maximum resistance to outdoor conditions is designed to meet the lighting requirements of the ME1 to ME2 class roads with two different Optic options reaching 28,000 Lumen light outputs. Luminaire efficiency reaching 135 lm/W, with a smart mounting foot with precise mobility, it offers fast and easy mounting, in addition to high energy savings. With these features, the RA3 is ideal for refit and new projects. BRANCH and RF can be controlled by the wireless system.



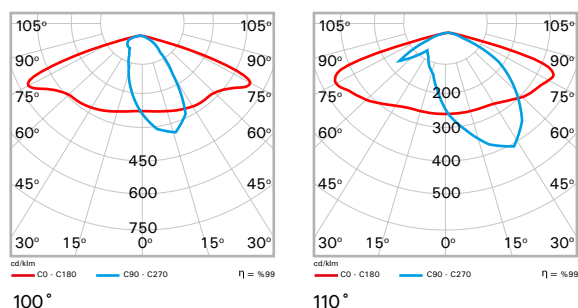
Technical Features

Body	: Aluminum injection body
Optic	: Wide angle
Diffuser	: Tempered transparent glass
Light source	: Power LED
Power	: 112 W / 136 W / 150 W / 160 W / 218 W
Lumen	
(100°)	: (136W) 17927 lm / (160W) 20650 lm
(110°)	: (136W) 18241 lm / (160W) 21121 lm
Input voltage	: 220-240 V / 50-60 Hz
Color temperature	: 4000K / 5000K / 6500K
CRI	: > 70
IP	: IP66
Usage is	: Pole/Wall
Body Color	: SW 306G

Technical Drawing



Photometric Data



Dimensions (mm)

a	b	h	d
705	310	104	85

Order Table

100° Lens

Product description	Product code	Power (W)	Weight (kg)
112 W 4000K	RA3 112D 40SC00 100 15K5	112	8,3
136 W 4000K	RA3 136D 40SC00 100 17K8	137,2	8,3
150 W 4000K	RA3 150D 40SC00 100 19K7	150	8,3
160 W 4000K	RA3 160D 40SC00 100 20K4	161,4	8,5
218 W 4000K	RA3 218D 65SC00 100 27K7	218	8,5

110° Lens

Product description	Product code	Power (W)	Weight (kg)
112 W 4000K	RA3 112D 40SC00 110 15K5	112	8,3
136 W 4000K	RA3 136D 40SC00 110 17K8	134,4	8,3
150 W 4000K	RA3 150D 40SC00 110 19K7	150	8,3
160 W 4000K	RA3 160D 40SC00 110 20K4	162,2	8,5

Options

Color temperature	: 5000K / 6500K
Electronic control	: DALI, RF Control



PB2 PB FLP

SURROUND LIGHT LED LUMINAIRE



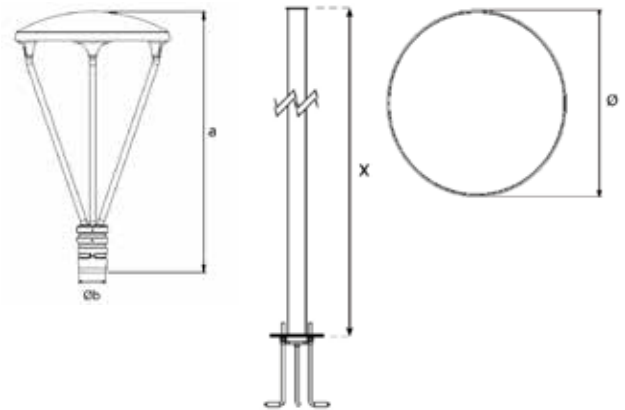
The PB2 PB V. 2 is used for ambient lighting of landscaping and urban areas with a three-lever round Body structure. Rounded Body finish prevents dust and dirt build-up on the surface.



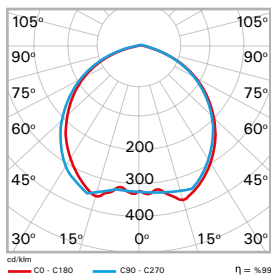
Technical Features

Body	: Aluminum injection body
Optic	: Reflektör
Diffuser	: Opal Diffuser
Light source	: Power LED
Power	: 40 W / 64 W
Lumen	: 4000 lm / 7000 lm
Input voltage	: 220-240 V / 50-60 Hz
Color temperature	Natural White/Cool White
CRI	: > 80
IP	: IP65
Usage is	: Post mounting
Body Color	: SW 306G

Technical Drawing



Photometric Data



Dimensions (mm)

Ø	a	Øb	x
470	757	Ø76	3000x4000

Order Table

Product description	Product code	Power (W)	Weight (kg)
40 W 4000K	PB2 040U 40FS00 3A 4K0 PB V2 FLP	40	10,8
64 W 4000K	PB2 060U 40FS00 3A 6K2 PB V2 FLP	60	10,8

Options

Color temperature	: 3000K / 6500K
Electronic control	: 1-10V Dimko, DALI





ROAD AND ENVIRONMENT

LIGHTING LUMINAIRES

EAE LIGHTING-Brochure **ROAD AND ENVIRONMENT - EN** - Update Date: 04.07.2022
EAE. is provided with the right to perform changes deemed necessary without notifying in advance.
Please contact us for further information about products and details partaking in catalogue.



EAE LIGHTING Inc.
Ikitelli Organize Sanayi Bolgesi
Eski Turgut Ozal Caddesi No:20
Basaksehir / ISTANBUL - TURKEY
Tel : +90 212 413 21 00 (pbx)
Fax : +90 212 549 37 90
www.eaelighting.com



engineering the light